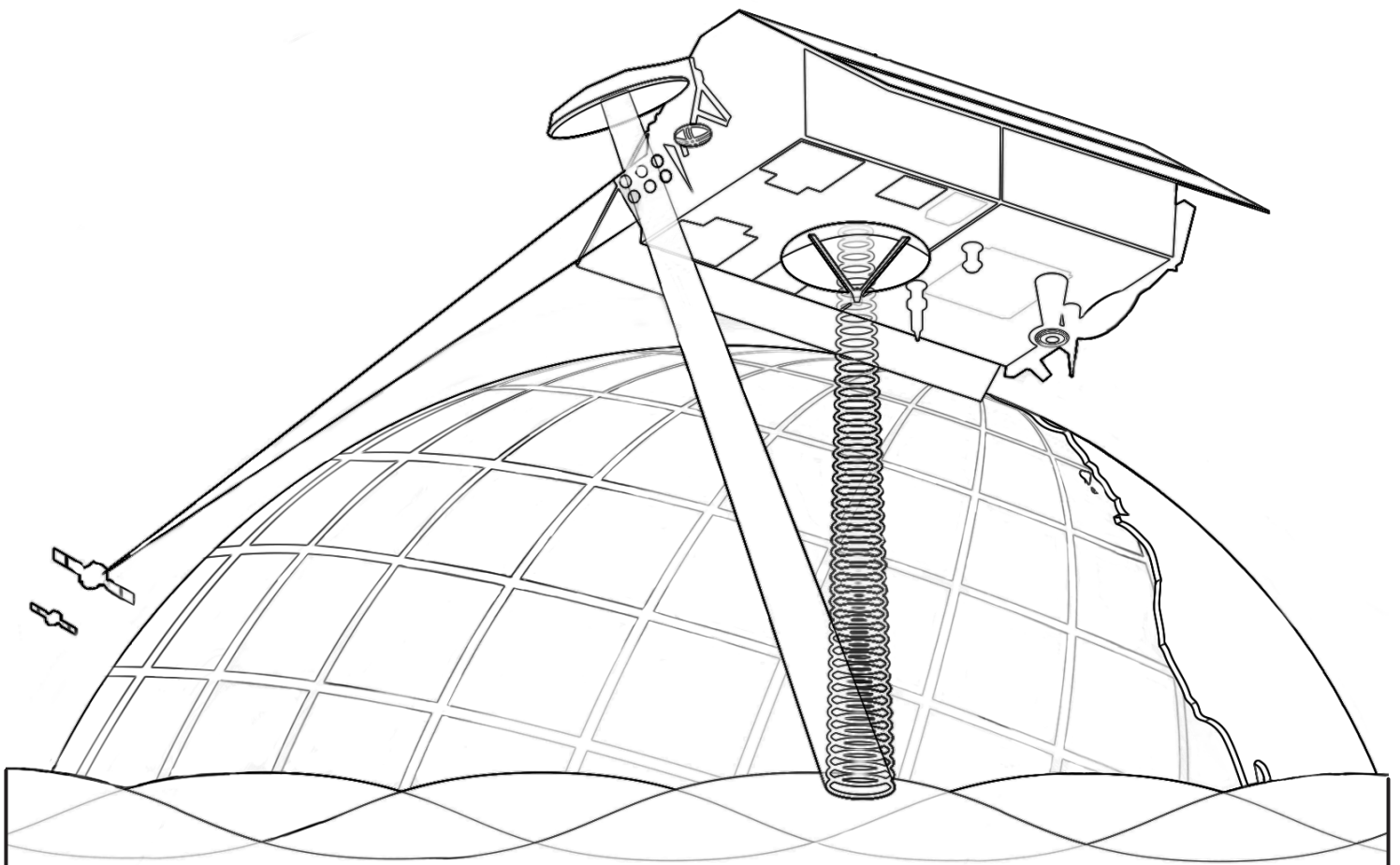




# Sentinel-6 Michael Freilich



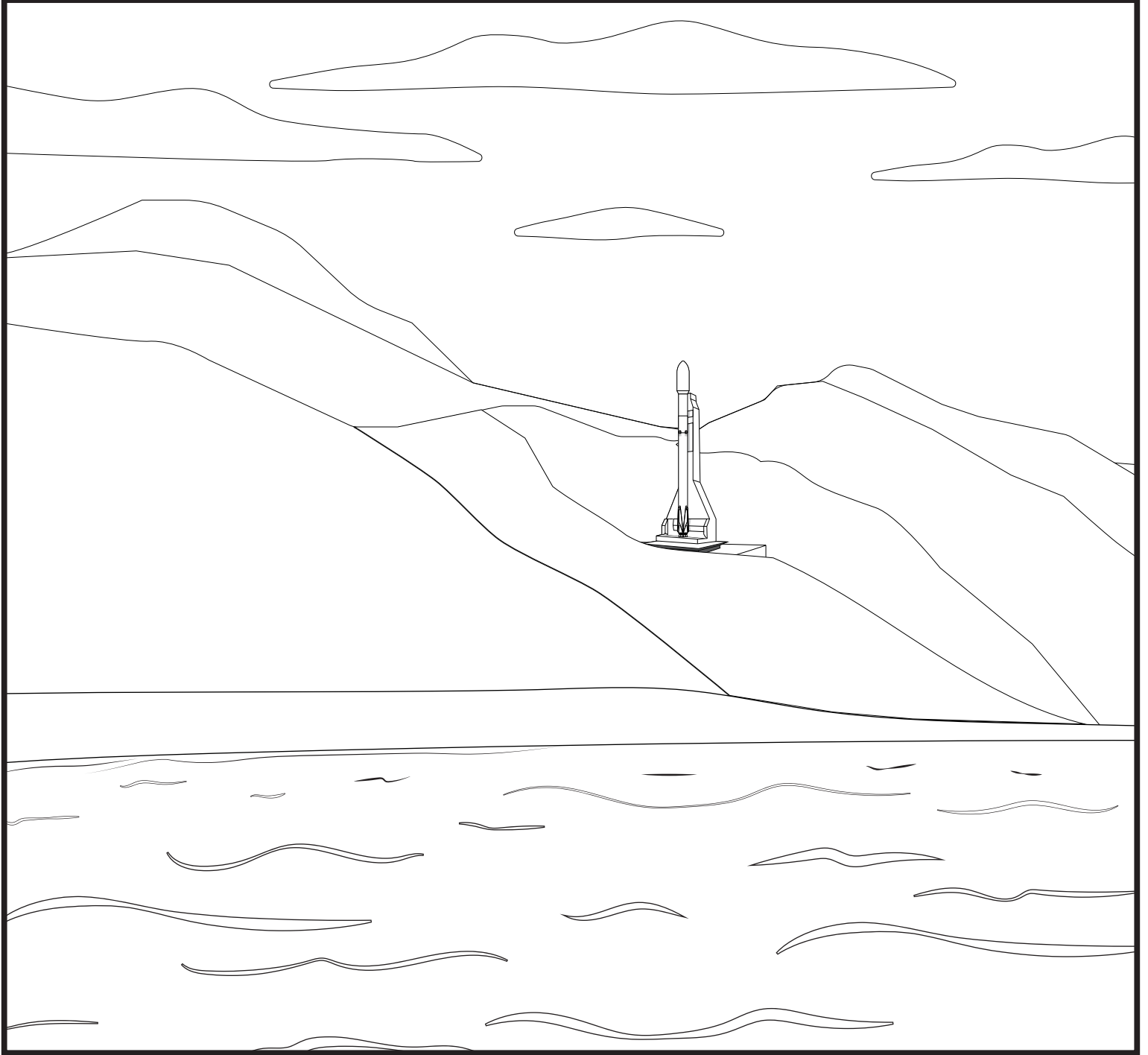
---

The Sentinel-6 Michael Freilich satellite will launch on a SpaceX Falcon 9 launch vehicle from Vandenberg Air Force Base in California in November 2020. It will measure the depths of the ocean to better understand climate change on earth as well as gather information that will help predict weather patterns and enhance forecasting capabilities





# Sentinel-6 Michael Freilich



**Launch Date:** November 2020

**Launch Vehicle:** SpaceX Falcon 9

**Launch Site:** Vandenberg Air Force Base, California

